



Outdoor Wood Floors – Installation Guide.



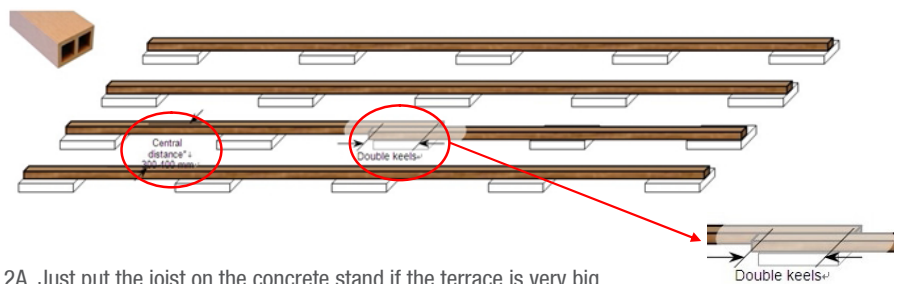
Installation Instructions

1. Foundation

Make sure the ground level is flat and smooth. Before you start, ensure there is a level base and remove all weeds. To prevent weeds growing, we advise laying root-stop fabric under the structure. Make sure the ground base is clean, dry, stable, solid and smooth – a slope of 2% will provide the correct water drainage.

2. Lay the joists.

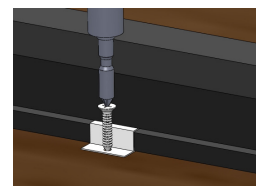
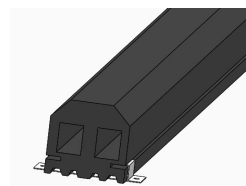
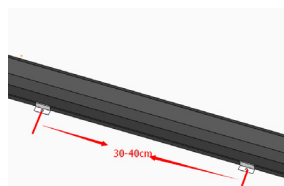
Please keep the distance of two joists at maximum 400mm between centers (as usual, it is 300mm). Make sure that there are double joists (double keels) wherever two decks meet. Never allow two deck boards ends share one joist, otherwise, the deck board might be shrink and fall off from joist or have other problems(see blew picture).



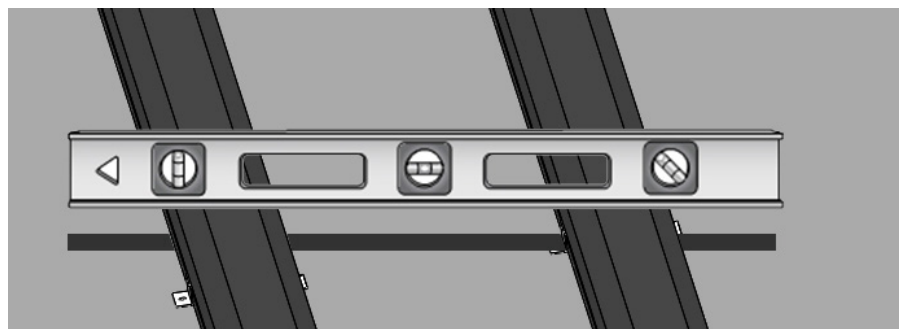
2A. Just put the joist on the concrete stand if the terrace is very big

OR

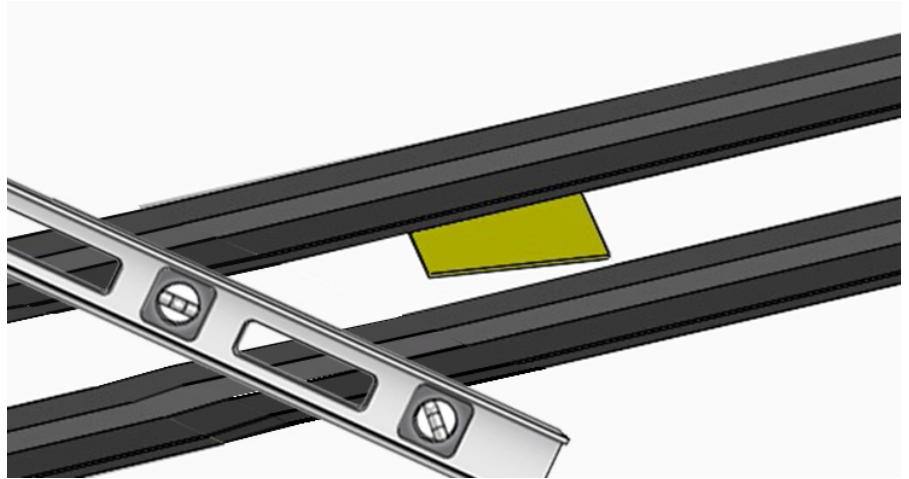
2B. Fix by joist fitter with expansion screws (as below). As usual 2–3pcs fitters needed for 1m joist, which means there will be one fitter by 30–40cm space.



After all joists are fixed to the ground, please check the joists level

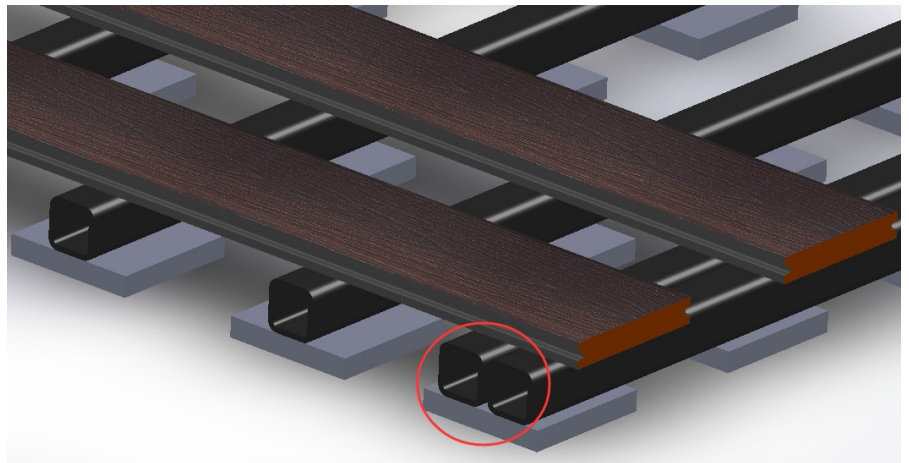


If the joists level is not smooth, please adjust the level by filling the gap between the joist and ground with slices.



Attention: it is required that the deck surface is mounted flat and no water can be collected on the surface or in the chambers. If water collects in the chambers for a long period, the board may start cupping and waving because of the moisture expansion.

To prevent the deck from bending, esp. for the long deck used at commercial application, it is also recommended to lay double joists at the terrace section's starting and ending ends so that the deck can be fixed firmly.

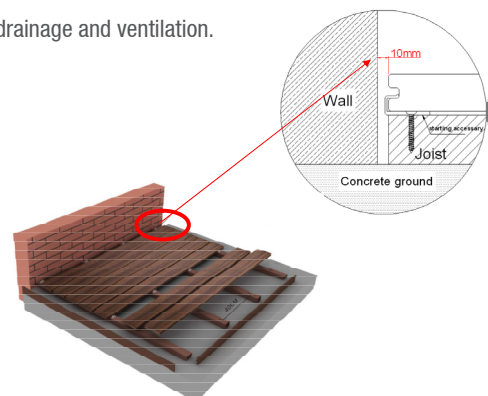


3. Install the deck.

3A. With starting clips

Pre-drill the hole on the joist and then fix the starting clips into the joist.

Keep the board end and the joist at least 10mm from the walls or other obstacles to allow for expansion of the BPC products and also for ensuring good drainage and ventilation.

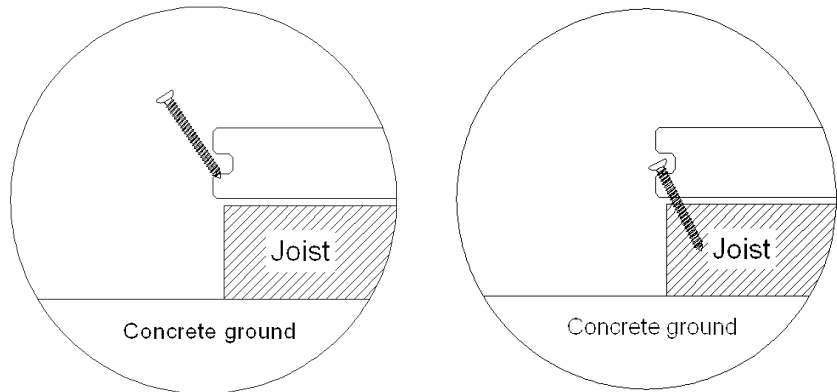


Outdoor Wood Floors



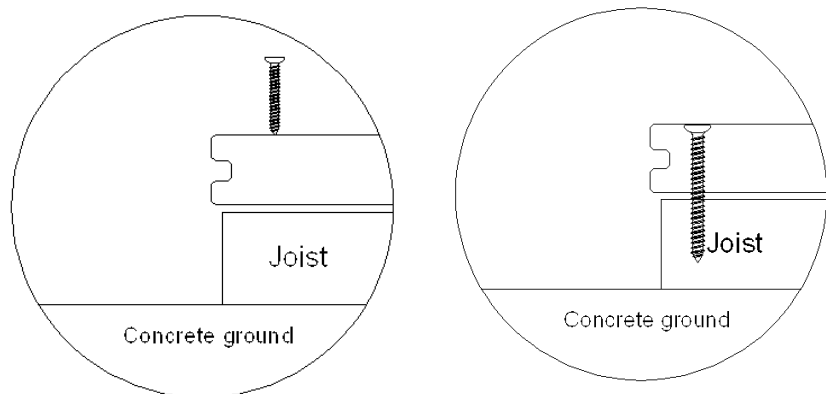
3B. Without starting clips, but screw from the side

First, from the side of the deck, predrill a hole for the screw through the groove and into the joist; Second, fix the screw into the hole (see below pictures).

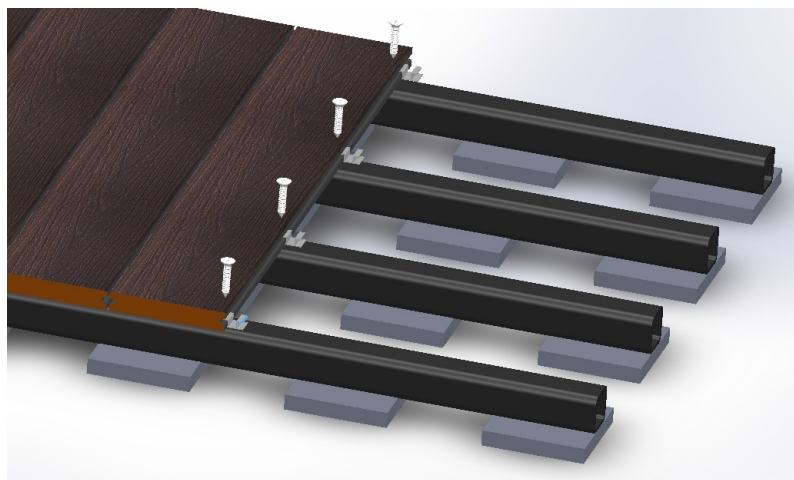


3C. Without starting clips, but screw from the top

First, from the top of the deck, predrill a hole for the screw and into the joist; Second, fix the screw into the hole (see below pictures).



After the first deck is fixed, the rest decks to be fixed by screws and clips in turn



Outdoor Wood Floors



Attention: The BPC products' expansion rate is around 0.1% to 0.2% depends on deck length and weather condition in different places. Based on this expansion rate, there must be a gap (at least 1mm) always between two decks.

Specifically, the gap can be calculated according to the following formula.

$$\Delta L = \zeta \times (T_{max} - T) \times L$$

Illustration:

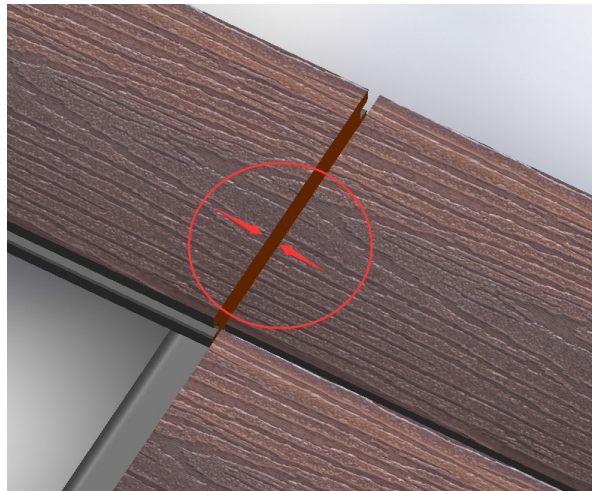
- ΔL : Gap required for Length of Board
- ζ : Coefficient of Linear Expansion (0.02mm/m^{°C})
- T_{max} : Max. Temp. in your region (°C)
- T : Installation Temp. (°C)
- L : Length of Board (m)

For example:

If the highest temperature in your region is 40°C and now your installation temperature is 10°C, then the gap required for a 2.9m decking board is

$$\Delta L = \zeta \times (T_{max} - T) \times L = 0.02 \text{ mm/m}^{\circ\text{C}} \times (40^{\circ\text{C}} - 10^{\circ\text{C}}) \times 2.9\text{m} = 1.74\text{mm}$$

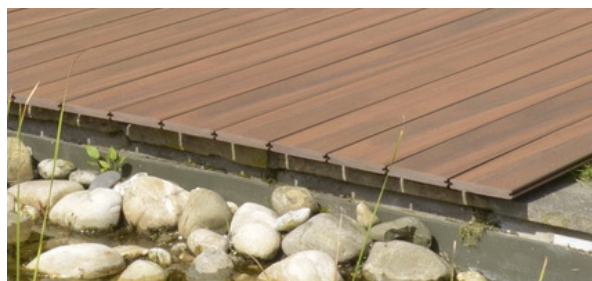
Then we know the gap between the two decking ends should be 2mm.



4. Finishing

4A. without covering

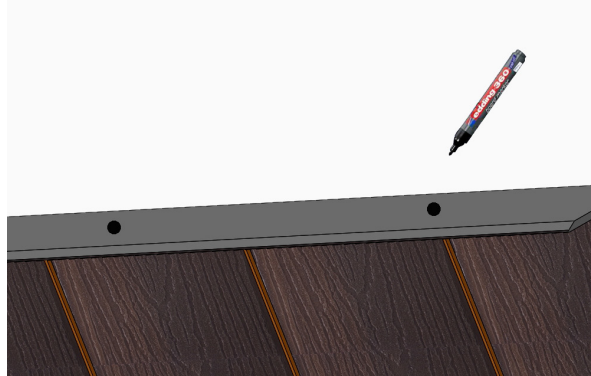
Sometimes, the application site is not suitable or not convenient to have covering, then the edge can be left without covering.



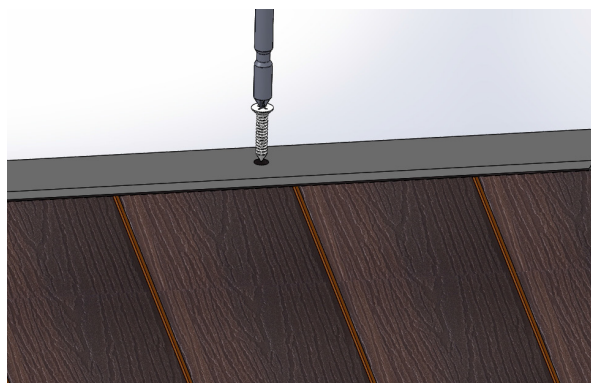
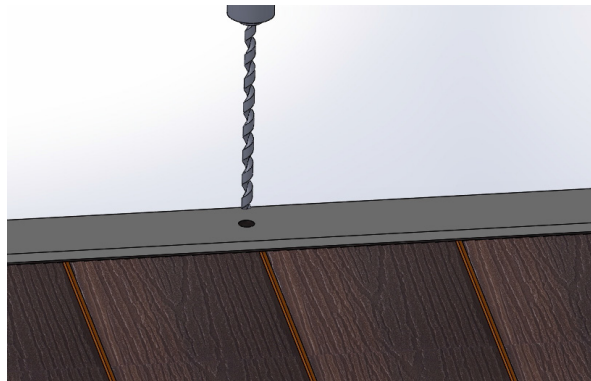
4B. with L shape aluminum covering

L shape corner cover is also available for an attractive finish.

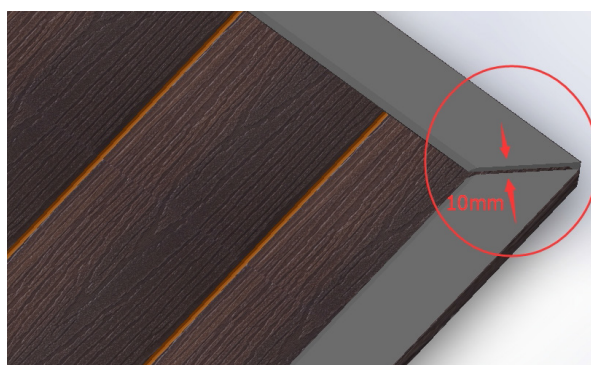
Lay the aluminum covering on the deck and mark the places where you will drill the holes.



Next, pre-drill the holes and then fix it.



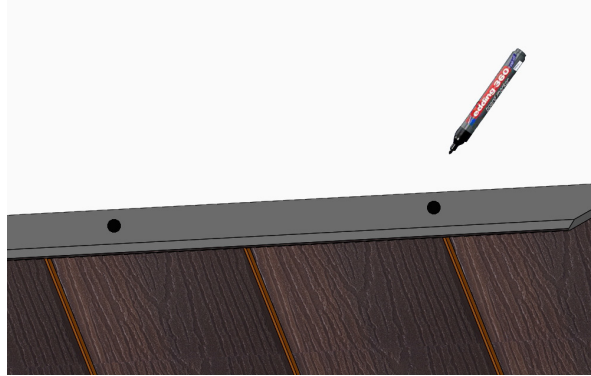
To make the L shape coverings meet well at the corner, the aluminum covering will be made as crosscut shape as right picture shown. Here please ensure that there is at least 10mm between the crosscut ends for expansion if it is BPC material covering.



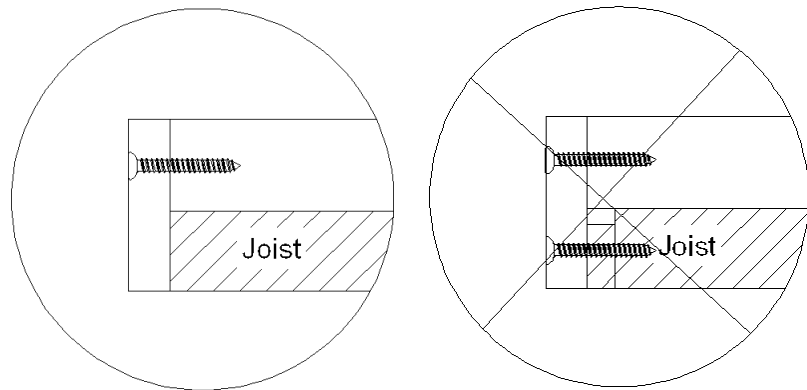
4C. with I shape BPC board covering

You can also finish the ends of the terrace sections neatly with the I shape plank.

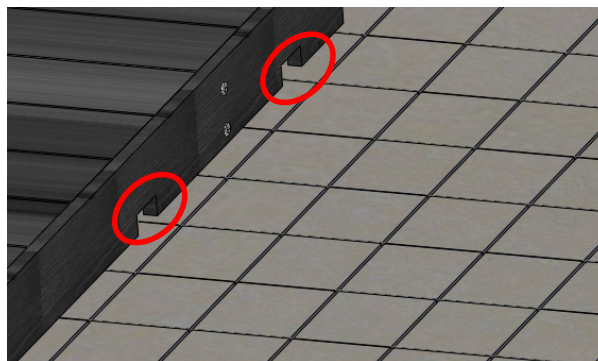
Make sure the I shape plank to be fixed on the deck only so that the covering can be movable with the deck expansion.



Next, pre-drill the holes and then fix it.



Meanwhile, it is advised to drill holes at the underside of the terrace sections for ventilation and drainage. If you do not drill these holes, then water or moisture cannot drain away and the guarantee for water damage is invalidated.



Ahmadabad:

Surface Plus, GF, 4th Floor
Premier House, Opp. Gurudwara
Thaltej Crossing, Ahmadabad – 382 454
Tel: +91 79 4006 0521 / 79 2685 3312
Email: ahmadabad@squarefoot.co.in

Bengaluru:

#51, 1st Floor, 100 Feet Road
4th Block, Koramangala
Bengaluru – 560 034
Tel: +91 80 4110 1012 / 13
Fax: +91 80 2563 3145
Email: bangalore@squarefoot.co.in

Chennai:

#96, 3rd Floor, Opp. Vani Mahal
G. N. Chetty Road, T. Nagar
Chennai – 600 017
Tel: +91 44 4550 8411 / 12
Email: chennai@squarefoot.co.in

Goa:

605, 6th Floor, Gera Imperium
1st Building, Behind KTC Bus Stand
Patto Plaza, Panjim, Goa – 403 001
Tel: +91 832 243 7663
Email: goa@squarefoot.co.in

Hyderabad:

6 – 3 – 354/1, 2nd Floor, Stellar Sphinx
Panjagutta Main Road, Road No. 1
Banjara Hills, Hyderabad – 500 034
Tel: +91 40 4003 7212 / 13
Fax: +91 40 4003 7214
Email: hyderabad@squarefoot.co.in

Indore:

154, 1st Floor Orbit Mall, A.B. Road
Indore – 452 001
Tel: +91 731 498 1983
Email: indore@squarefoot.co.in

Jaipur:

2nd Floor, Plot No. 287, Vaishali Marg
Gomes Defence Colony, Opp. Ktl Maruti Showroom
Near Big Bazaar, Jaipur, Rajasthan – 302 021
Tel: +91 141 492 2396
Email: jaipur@squarefoot.co.in

Kochi:

2nd Floor Chakrampilly Estate
NH Bypass, Palarivattom
Thammanam PO, Cochin
Kerala – 682 032. (Opp: Holiday Inn)
Tel: +91 484 485 6173
Email: kochi@squarefoot.co.in

Kolkata:

34, Dr. Sarat Banerjee Road
BSNL Telephone Exchange Lane
Police Station Rabindra Sarobar
Kolkata – 700 029
Tel: +91 33 4060 4243
Email: kolkata@squarefoot.co.in

Mumbai:

9–11 Senapati Bapat Marg
Lower Parel, Mumbai – 400 013
Tel: +91 22 4047 6211
Fax: +91 22 2497 6216

New Delhi:

A–31, Ground Floor
FIEE Complex, Okhla Phase–II
New Delhi – 110 020
Tel: +91 11 4052 5767 / 11 4050 4785
Email: delhi@squarefoot.co.in

Pune:

Classic Floorings & Interiors Pvt Ltd,
Office No. 201, 2nd Floor, Gagan Capital
Dhole Patil Road
Beside Ruby Hall Clinic Exit Gate
Landmark – Above Anna Idly & CCD
Pune – 411 001
Tel: +91 20 4000 1630
Email: pune@squarefoot.co.in

Area Representatives

Bhopal	+91 82913 17558
Bhubaneswar	+91 96742 23380
Coimbatore	+91 90032 56718
Guwahati	+91 96749 93005
Nasik	+91 86575 03355
Patna	+91 98363 11556
Surat	+91 97237 77887

**Head Office:**

Classic Floorings & Interiors (P) Ltd., Ground Floor, Raghuvanshi Mansion
Raghuvanshi Mills Compound, 9–11 Senapati Bapat Marg, Lower Parel, Mumbai – 400 013. Tel: +91 22 4047 6211 | Fax: +91 22 2497 6216