



Ruby, Meteor – Installation Guide.



EXPERIENCE FLOORS!  
**SQUARE**  
**FOOT**

# 1 Subfloor Control

## 1 Materials For Installation

### Primer

#### Different types:

solvent/water based, PU, Epoxy.

#### Main actions:

- grade the site & the overabsorbent and/or different subfloor surfaces.
- grade the permeability of subfloor where drying time could be too quick
- improve the bonding performance of the leveling compound on nonporous subfloor.

#### Application:

in general, the primer is applied with a brush/roller. Consumption depends on the planarity of the subfloor: 80 – 120 g/m<sup>2</sup>.

Strictly follow manufacturer's instruction.

Applying a leveling compound without using first a primer could cause delamination or cracks of the levelling compound.

### Self-levelling compound

#### Definition:

Is a smoothing cement based compound finish for indoor use that will be covered by a floorcovering.

#### Main actions:

rectify the subfloor porosity = possibility to glue without any particular preparation self levelling action resulting in homogeneous & smooth surface

- allow regularity of glue layer and drying time on the whole surface.

Consumption (average): 1.5 Kg / 1 mm / m<sup>2</sup> Heavy duty = 2–3 mm thickness (acc. country).

**Strictly follow manufacturer's instructions.**

### Adhesive

Although Tarkett may recommend a selection of manufacturer adhesive, we do not however guarantee the products listed. The list of products and manufacturers are not guaranteed complete or current. Tarkett would not accept any liability for any of these products failing to perform in conjunction with any of their products. It is the responsibility of the adhesive manufacturer and flooring contractor to ensure the products being used are appropriate for use and applied in accordance with the manufacturer recommendations.

For best selection, always check:

- Compatibility with the flooring product backing (PVC, PU, jute...)
  - Aspect of the backing: rough, smooth, fibers, grid...
  - Flooring porosity (textile, jute...) Subfloor porosity (absorbent or not)
  - Quality/Performance (polyvalence, consumption...).
- Consider flooring nature, subfloor type and conditions of use to determine the adhesive type and the spatula. According manufacturer's instructions and building site conditions, determine the drying and working time.

## 2 Subfloor Control

### In general:

**Moderately absorbent subflor: use finely notched trowel (approx. 250g/m<sup>2</sup> to 300g/m<sup>2</sup>).**

*For compact products (smooth backink): use A1 spatula (TKB model).*



*For acoustic products (honey comb foam): use A2 spatula (TKB model).*



**Non absorbent subflor: use very finely notched trowel (approx. 150g/m<sup>2</sup> to 200g/m<sup>2</sup>).**

*May be the case for wall, Tarkolay, etc: use A4 spatula (TKB model).*



For best selection, always check:

- Compatibility with the flooring product backing (PVC, PU, jute...)
- Aspect of the backing: rough, smooth, fibers, grid...
- Flooring porosity (textile, jute...)
- Subfloor porosity (absorbent or not)
- Quality/Performance (polyvalence, consumption...).

Consider flooring nature, subfloor type and conditions of use to determine the adhesive type and the spatula. According manufacturer's instructions and building site conditions, determine the drying and working time.

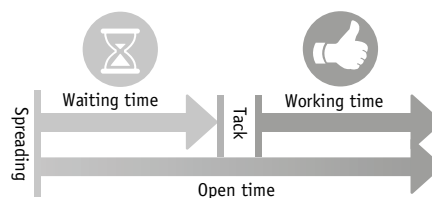
### For linoleum:

**For Linoleum use a notched trowel, type will depend on the backing (approx. 300g/m<sup>2</sup> to 350g/m<sup>2</sup> for jute backing, 200g/m<sup>2</sup> to 300g/m<sup>2</sup> for foam backing).**

*For compact products (jute backing): use B1 spatula (TKB model).*



*For acoustic products (foam backing): use A2 spatula (TKB model).*



Waiting time = time needed till you are able to lay the floorcovering in the glue with correct bonding.  
Working time = time for laying, heavy rolling and trimming of the floorcovering. In general, the application of glue is made with a serrated spatula (TKB ref.: A1 for compact, A2 for acoustic, B1 for Linoleum...) or a roller (for special glue).

Before laying down the floorcovering, in case application require a drying time of the adhesive, always check that water or solvents are evaporated (finger test – no transfer). Other application may require wet bonding (see Manufacturer instruction) like for linoleum or LVT. Heavy roller must be used to ensure bonding.

For more details on adhesives, please refer to the specific Tarkett Adhesive recommendation list.

[http://professionals.tarkett.com/sites/tarkettb2b\\_int/files/pdf/tarkett-flooradhesive\\_recommendations.pdf](http://professionals.tarkett.com/sites/tarkettb2b_int/files/pdf/tarkett-flooradhesive_recommendations.pdf)

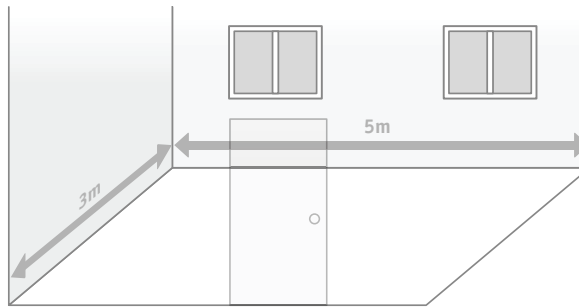
# 3 Installation

Please refer to each individual installation notice per product range, adhesive chart with Tarkett selection as guide line.

## 3.1 General Rules

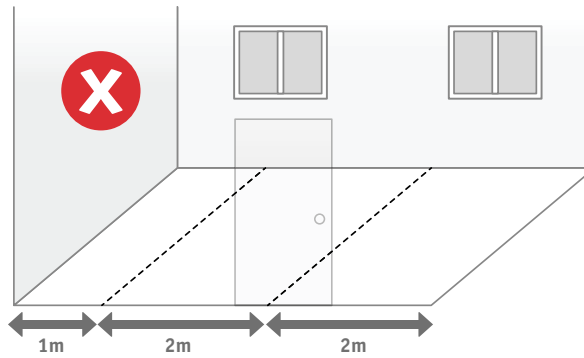
### Laying – Sheets

N= Room dimensions



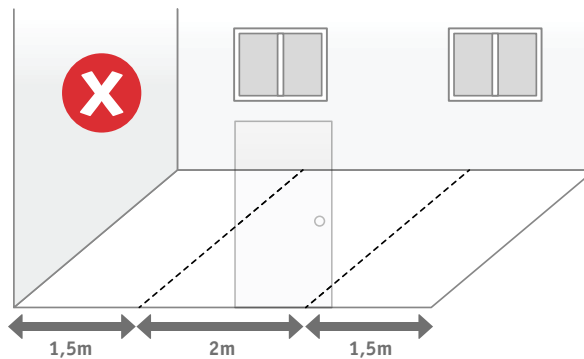
If the room is reasonably square, the sheets should run parallel to the incoming light. In long, narrow rooms it is best to install the sheets along the length of the room.

O= Layout nok



Joint placed at a door step.

P= Layout nok



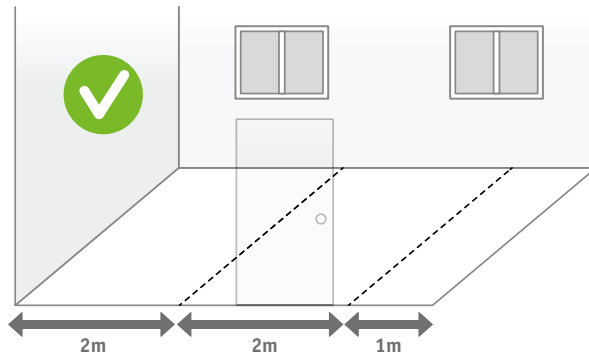
Loosing material.

# 3 Installation

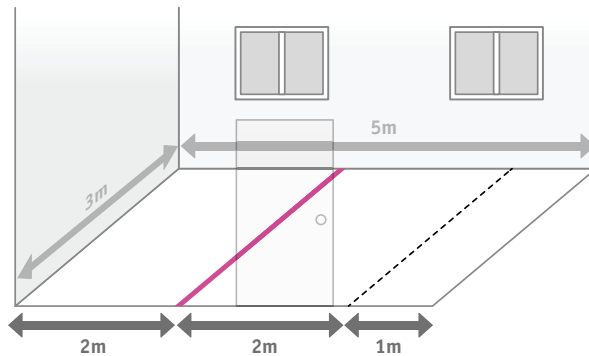
Please refer to each individual installation notice per product range, adhesive chart with Tarkett selection as guide line.

## 3.2 General Rules

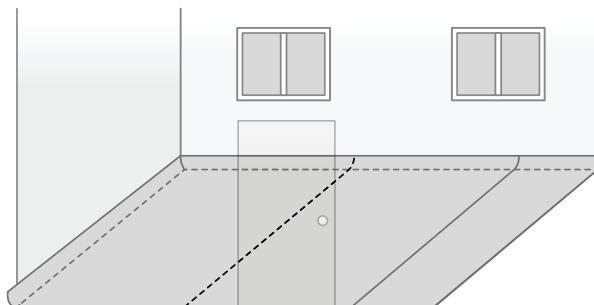
Q= Layout ok



R= Reference line



S= Sheets preparation (cutting and relaxation)



*Align the sheet edge to the reference line.*

*Sections of flooring must be cut to the required lengths, plus an allowance of a few centimeters.*

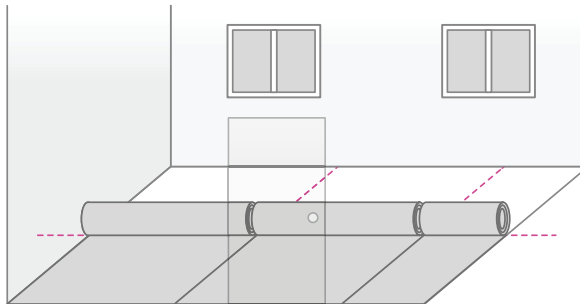
# 3 Installation

Please refer to each individual installation notice per product range, adhesive chart with Tarkett selection as guide line.

## 3.3 General Rules

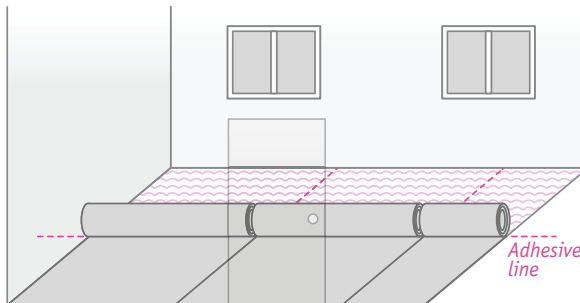
### Laying – Sheets

T = Half folding or rolling



Can be rolled or fold.

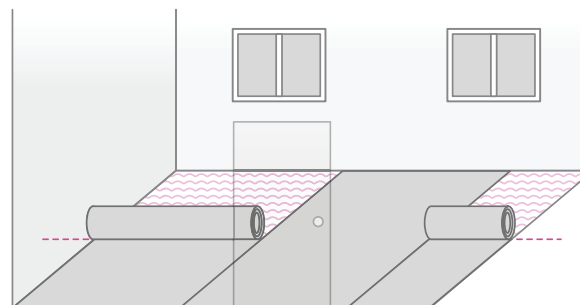
U = Gluing



Spread the adhesive with the appropriate spatula.

Pay attention to spread adhesive till the line. For the second half, ensure not to let space without adhesive or to overglue.

T = First sheet folding back into the adhesive and pressing



It's important to use the cork press when you gradually roll out the sheets onto the adhesive. In this way, you will avoid catching air under the sheets that may cause blisters later on.

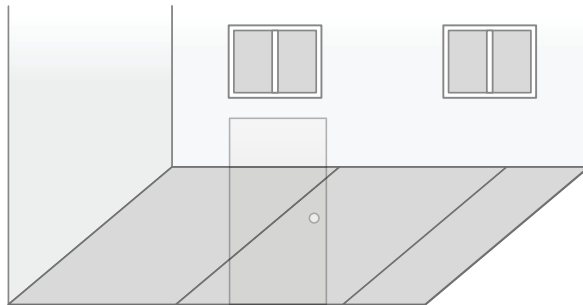
# 3 Installation

Please refer to each individual installation notice per product range, adhesive chart with Tarkett selection as guide line.

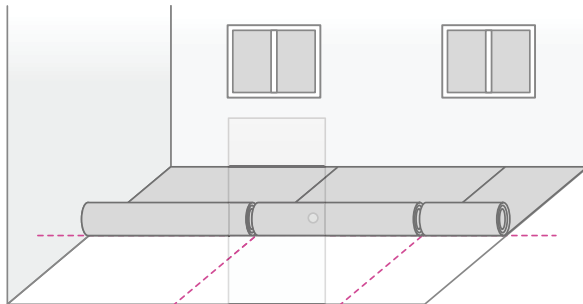
## 3.4 General Rules

### Laying – Sheets

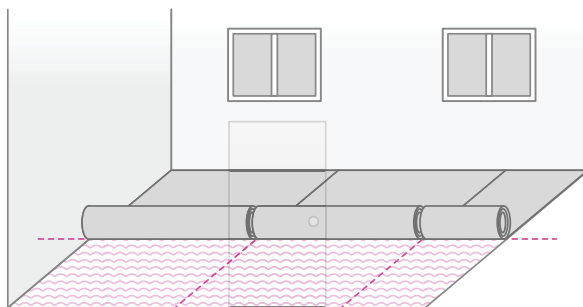
NM = *Next sheets folding back and pressing*



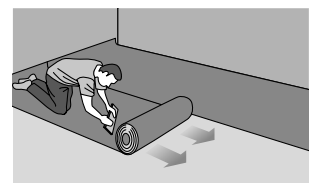
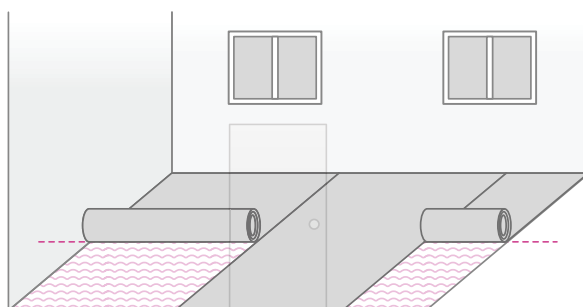
NN = *Repeat for the second half*



NO = *Gluing*



NP = *First sheet folding back into the adhesive and pressing*



*It's important to use the cork press when you gradually roll out the sheets onto the adhesive. In this way, you will avoid catching air under the sheets that may cause blisters later on.*

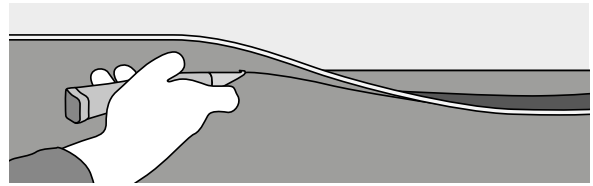
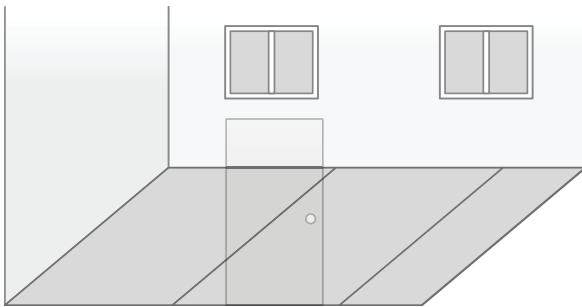
# 3 Installation

Please refer to each individual installation notice per product range, adhesive chart with Tarkett selection as guide line.

## 3.5 General Rules

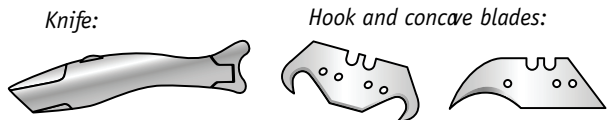
### Laying – Sheets

NQ := Next sheets folding back

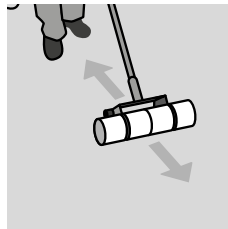
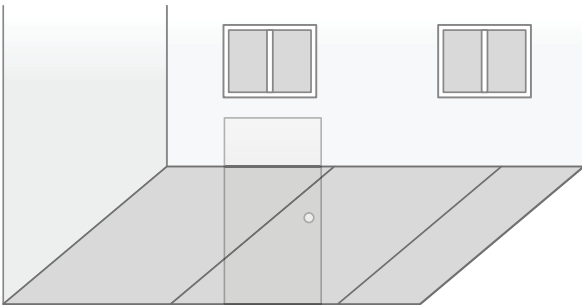


When gluing and pressing is done, excess of material close to walls and obstacles can be trimmed/flushed (freehand cut).

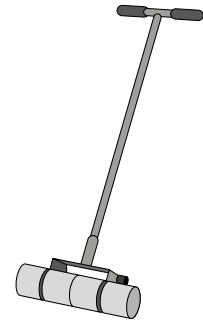
Tools for freehand trimming:



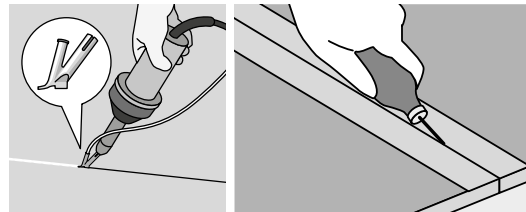
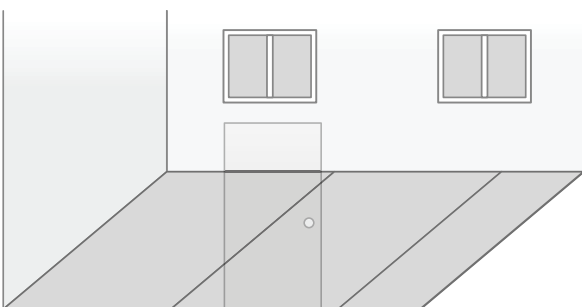
NR := Final pressing



And then, use the heavy roller (mini 50kg) to ensure the final bonding.



NS := Hot or cold welding



More détail page 14 & 15

*Specific case of Linoleum:*  
Due to jute backing, linoleum will require wet bonding installation and due to its construction, installer will have to use scribing tools to trim edges and joints. For more details, please refer to the specific Linoleum installation instruction.



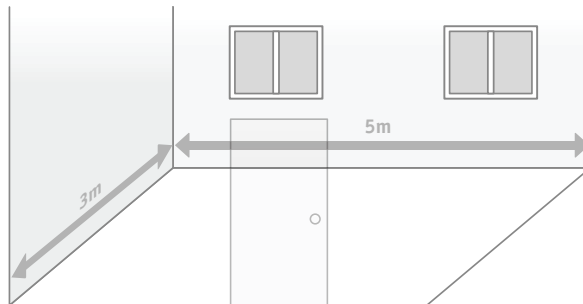
# 3 Installation

Please refer to each individual installation notice per product range, adhesive chart with Tarkett selection as guide line.

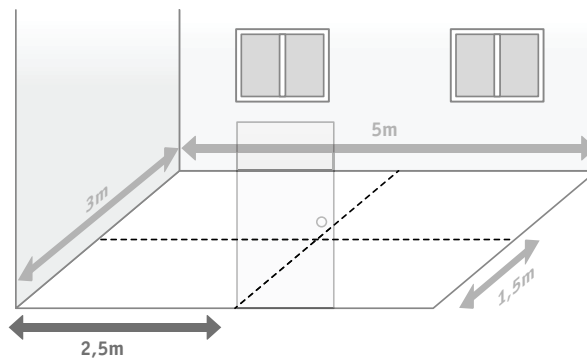
## 3.6 General Rules

### Laying – Tiles

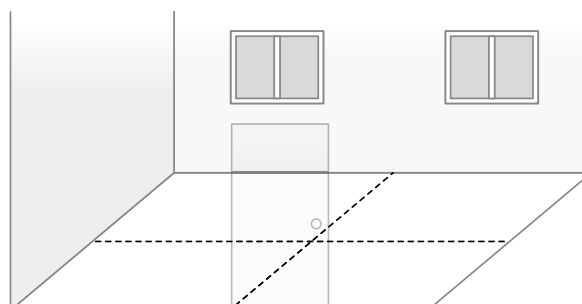
N=- Room dimensions



O=- Layout



P=- Reference axes



**Ahmadabad:**

Surface Plus, GF, 4th Floor  
Premier House, Opp. Gurudwara  
Thaltej Crossing, Ahmadabad – 382 454  
Tel: +91 79 4006 0521 / 79 2685 3312  
Email: ahmadabad@squarefoot.co.in

**Bengaluru:**

#51, 1st Floor, 100 Feet Road  
4th Block, Koramangala  
Bengaluru – 560 034  
Tel: +91 80 4110 1012 / 13  
Fax: +91 80 2563 3145  
Email: bangalore@squarefoot.co.in

**Chennai:**

#96, 3rd Floor, Opp. Vani Mahal  
G. N. Chetty Road, T. Nagar  
Chennai – 600 017  
Tel: +91 44 4550 8411 / 12  
Email: chennai@squarefoot.co.in

**Goa:**

403, 4th Floor, Gera Imperium  
1st Building, Behind KTC Bus Stand  
Patto Plaza, Panjim, Goa – 403 001  
Tel: +91 832 243 7663  
Email: goa@squarefoot.co.in

**Hyderabad:**

6 – 3 – 354/1, 2nd Floor, Stellar Sphinx  
Panjagutta Main Road, Road No. 1  
Banjara Hills, Hyderabad – 500 034  
Tel: +91 40 4003 7212 / 13  
Fax: +91 40 4003 7214  
Email: hyderabad@squarefoot.co.in

**Indore:**

154, 1st Floor Orbit Mall, A.B. Road  
Indore – 452 001  
Tel: +91 731 498 1983  
Email: indore@squarefoot.co.in

**Jaipur:**

2nd Floor, Plot No. 287, Vaishali Marg  
Gomes Defence Colony, Opp. Ktl Maruti Showroom  
Near Big Bazaar, Jaipur, Rajasthan – 302 021  
Tel: +91 141 492 2396  
Email: jaipur@squarefoot.co.in

**Kochi:**

2nd Floor Chakrampilly Estate  
NH Bypass, Palarivattom  
Thammanam PO, Cochin  
Kerala – 682 032. (Opp: Holiday Inn)  
Tel: +91 484 485 6173  
Email: kochi@squarefoot.co.in

**Kolkata:**

#332, Homeland Mall  
18B, Ashuthosh Mukherjee Road  
Kolkata – 700 020  
Tel: +91 33 2455 4344  
Email: kolkata@squarefoot.co.in

**Mumbai:**

9–11 Senapati Bapat Marg  
Lower Parel, Mumbai – 400 013  
Tel: +91 22 4047 6211  
Fax: +91 22 2497 6216

**New Delhi:**

M – 56, 2nd Floor, M–Block Market  
Greater Kailash Part II  
New Delhi – 110 048  
Tel: +91 11 4052 5767 / 11 4050 4785  
Email: delhi@squarefoot.co.in

**Pune:**

Classic Floorings & Interiors Pvt Ltd,  
Office No. 201, 2nd Floor, Gagan Capital  
Dhole Patil Road, Beside Ruby hall Clinic Exit Gate,  
Landmark – Above Anna Idly & CCD  
Pune – 411 001  
Tel: +91 20 4000 1630  
Email: pune@squarefoot.co.in

**Area Representatives**

Bhopal	+91 82913 17558
Bhubaneshwar	+91 96742 23380
Coimbatore	+91 90032 56718
Guwahati	+91 96749 93005
Nasik	+91 86575 03355
Patna	+91 98363 11556
Surat	+91 97237 77887

**Head Office:**

Classic Floorings & Interiors (P) Ltd., Ground Floor, Raghuvanshi Mansion  
Raghuvanshi Mills Compound, 9–11 Senapati Bapat Marg, Lower Parel, Mumbai – 400 013. Tel: +91 22 4047 6211 | Fax: +91 22 2497 6216

Toll Free: 1800 226 211 ■ sales@squarefoot.co.in ■ www.squarefoot.co.in